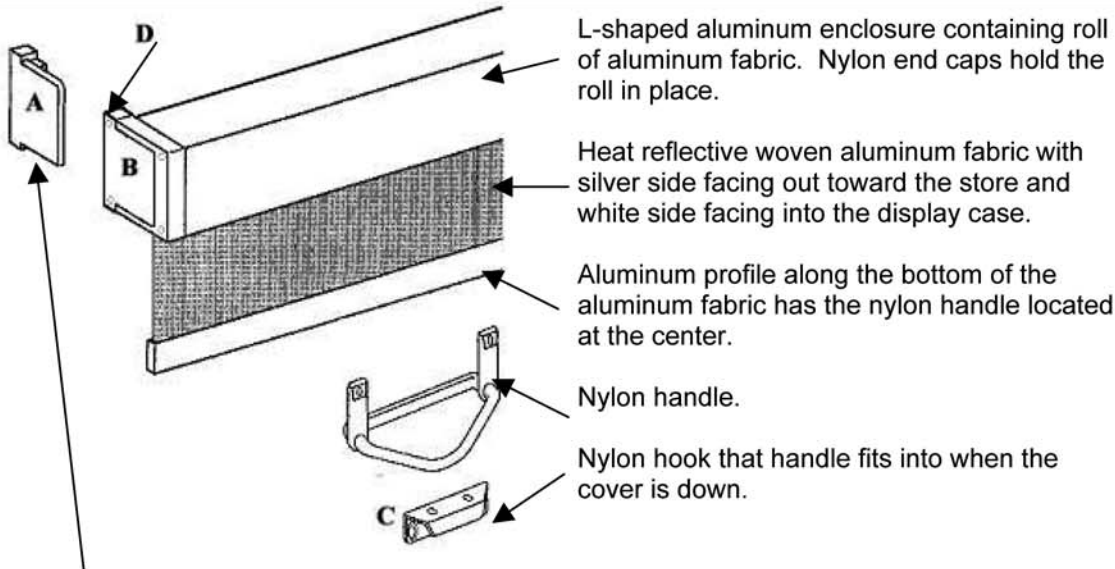


INSTALLATION INSTRUCTIONS FOR STANDARD CASSETTE UNITS

The standard ECONOFROST cassette is available in linear lengths of 4, 6, and 8 feet. The roll of woven aluminum fabric in the standard cassette is designed to cover from the top of a display case opening to the bottom at a distance of **76 inches or less**. When taking the Econofrost out of the box, make sure the **hook with all the screws** are also taken out of the box.

General Information

Drawing



Mounting tab slides out of the nylon end caps on each end of the cassette unit.

Instructions

- 1) Choose the location for mounting, typically on the front of the display case canopy.
- 2) Always be sure that refrigerated air curtain vents are behind the night cover so that cold air is not blocked from circulating into the display case. **CAUTION! Some older cases have ambient air curtains. These must be turned off when the cover is in use.**
- 3) Hold the ECONOFROST cassette unit up to the location where it will be mounted. Ensure that the cover is level before marking the location.
- 4) Mark the intended position on the mounting surface by scribing the case at each end of the cassette.
- 5) Slide the mounting tabs (A) out of the end caps (B).
- 6) Line up mounting tabs with marks made on the display case canopy. Use the tabs as a template and mark where the holes are to be drilled.
- 7) Drill the holes to accept the sheet metal screws.*
- 8) Affix the mounting tabs to the display case using sheet metal screws.
- 9) Slide the cassette unit (B) onto the mounting tabs (A) and secure by placing a set screw in the holes (D) provided on the nylon end caps.
- 10) Look for a place at the bottom of the display case to mount the hook (C). (Usually below the bumper or molding). **Ensure the hook is centered with the handle.**
- 11) Use the hook as a template to mark the holes to be drilled.
- 12) Drill the holes and mount the hook using sheet metal screws.*
- 13) Pull the night cover down and slip the handle onto the hook.

Instructions

* self tapping stainless steel screws (not supplied standard) will eliminate the need to predrill holes.