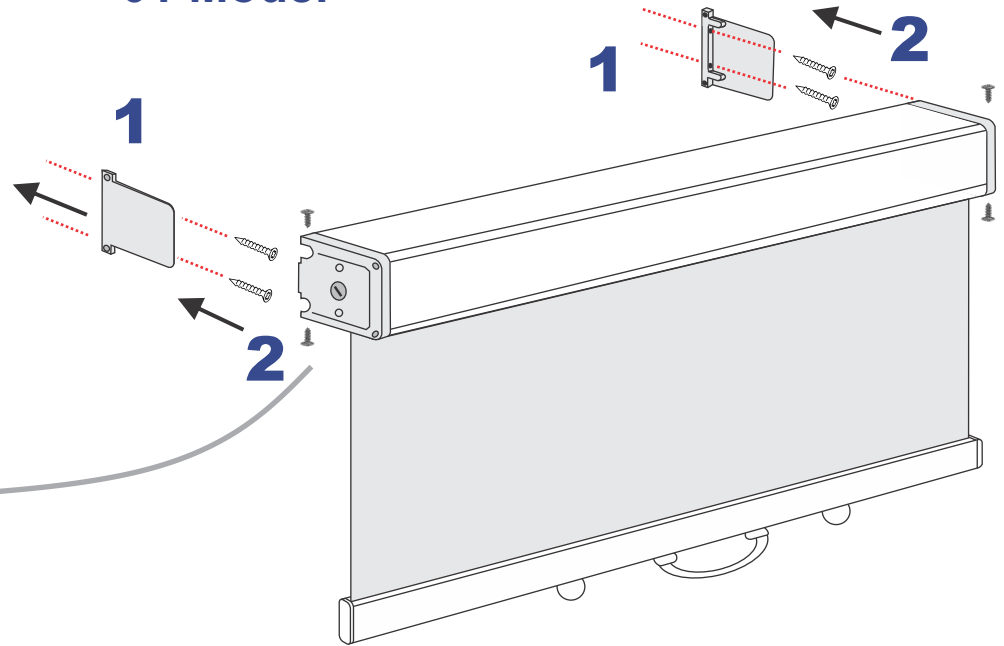
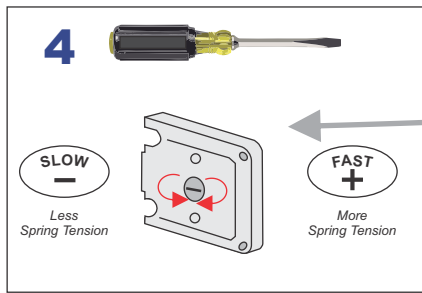
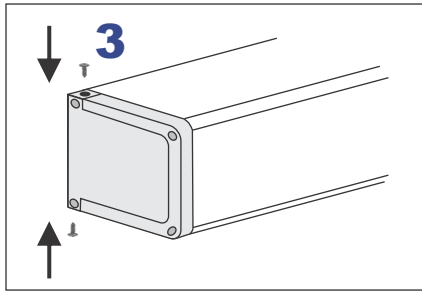


# ECONO FROST

SUPERMARKET NIGHT COVERS

## INSTALLATION INSTRUCTIONS

### 9000 Series Retrofit Cassette "01 Model"



Scan this code to see an Econofrost Installation Video



## INSTALLATION INSTRUCTIONS

1. Affix the mounting brackets to the display case with the screws
2. Slide the aluminum cassette night cover onto the mounting brackets
3. Secure the aluminum cassette night cover to the mounting brackets using the provided set screws
4. To adjust retraction speed (if needed), remove cassette from mounting brackets and use a blade screw driver to adjust (left side)

Size	Item #	Actual Width
4ft	91104-01	47 7/8"
6ft	91106-01	71 7/8"
8ft	91108-01	95 7/8"

**!** Clean the Econofrost Night Cover using a soft, non-abrasive cloth, water and soap. Retract the night cover slowly